

Dock Rite Truss Dock



Short Description

The Dock Rite truss style dock is easy to install. Roll-in, drop-in the decking, level with cordless drill and enjoy.

This style of dock works best when storage of long sections is not a problem.

Description



Dock Rite Truss Style Dock Frame.

The Dock Rite truss style dock frame is precision welded for a durable, yet light-weight frame for your dock. Aluminum cross members and center stringers provide the frame with rigidity providing additional support. The Dock Rite Truss Style Dock frame is one

of the most durable frames in the industry providing your family with a safe and stable surface to walk on. It is an attractive design with four options for decking that are recessed into the dock frame. (see below)

Dock Rite Offers Design Features That Provide Years Of Worry Free Use.

The Dock Rite truss style dock is easy to install. Roll-in, drop-in the decking, level with a cordless drill and enjoy. This style of dock works best when storage of long sections is not a problem. As with all roll-in type docks the water level should be less than 8 feet with a firm bottom. [For deeper water or soft lake bottoms please see the information on floating docks.](#)

- Our screw jack legs come in sizes ranging from 42” to 90” for all your water depth needs. They are made of 2½” heavy wall tubing.
- Leg pockets are oversized and welded to eliminate the need for multiple leg sizes and unsightly bracing.
- 2 1/2" posts are available when screw jack are unnecessary.
- Sand pads are interchangeable on any wheel assembly and provide a wide, solid base. Sand pads are ideal when portability is not an issue.
- 1x2 dual center stringers for extra strength and support.
- The modular design is easy to expand or add slips.
- All of our aluminum products are backed by a 15 year structural warranty against defects in material and workmanship. All purchased materials will use the pass through warranty from the manufacturer of those products. Please see warranty statement for full details.

Decking Materials

SunWalk Docks™ Engineered Resin Dock Panels represent a new standard, in durability and cost. SunWalk Docks' four-way design gives you a pleasing, continuous pattern - whether in Straight, "T" or "L" shaped applications.

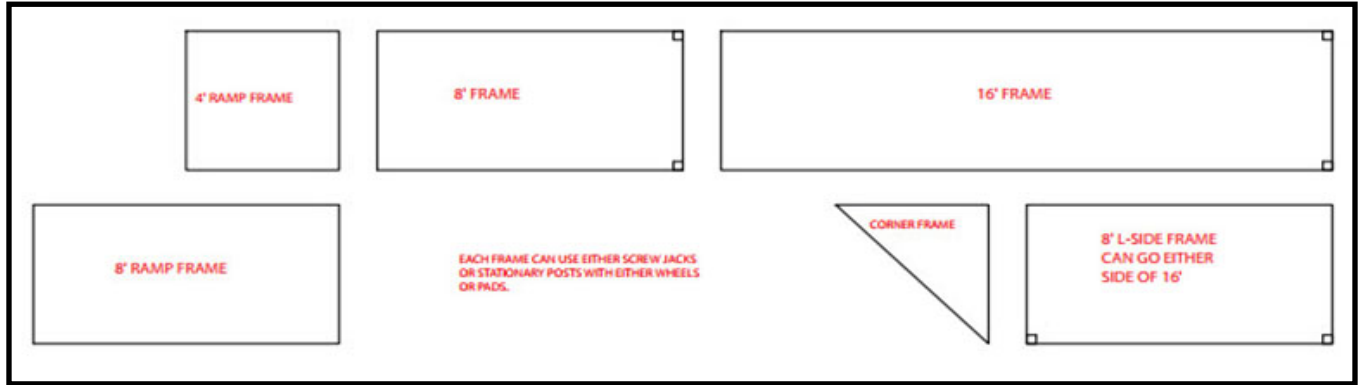
WoodBeam Resin Dock panel is the perfect low maintenance, simulated wood product for your next dock project. The deep wood grain finish gives you that wood look and feel while being maintenance free and easier to install.

Titan Deck Made of 100% polypropylene plastic, Titan decking will never rot, warp, dent, splinter or bend and never needs painting or staining. It's UV protected, barefoot friendly decking that stays cool to the touch even in extreme temperatures. Available in Tan or Gray.

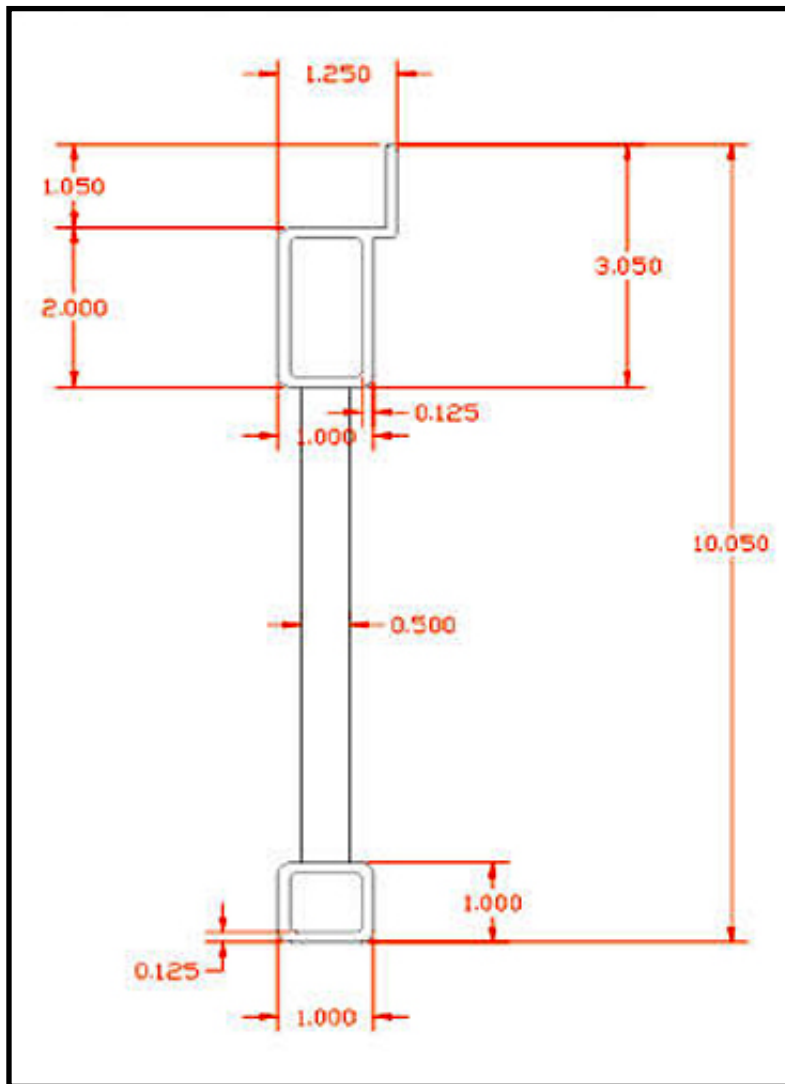
Aluminum Decking The ultimate maintenance free decking option. Tan powder coated Panels that stay cooler than wood or carpet.

[Click here to FIND A DEALER.](#)

Standard Truss Frame Schematics



Standard Truss Frames



Frame Dimension

Weight Chart

| TRUSS DOCK APPROXIMATE WEIGHT CHART | | | | | |
|-------------------------------------|-----------------------|------------|---------------|-------------|---------------|
| FRAME TYPE | MODEL | FRAME ONLY | SUNWALK™ DECK | TITAN™ DECK | ALUMINUM DECK |
| 16' ALUMINUM | SCREWJACK WITH WHEELS | 168 | 268 | 280 | 300 |
| 16' ALUMINUM | SCREWJACK WITH PADS | 140 | 240 | 252 | 272 |
| 16' ALUMINUM | POST WITH WHEELS | 146 | 246 | 258 | 278 |
| 16' ALUMINUM | POST WITH PADS | 118 | 218 | 230 | 250 |
| 8' ALUMINUM | SCREWJACK WITH WHEELS | 125 | 175 | 191 | 191 |
| 8' ALUMINUM | SCREWJACK WITH PADS | 97 | 147 | 163 | 163 |
| 8' ALUMINUM | POST WITH WHEELS | 103 | 153 | 169 | 169 |
| 8' ALUMINUM | POST WITH PADS | 75 | 125 | 141 | 141 |
| ALUMINUM | CORNER | 23 | 40 | 41 | 45 |
| 4' ALUMINUM | RAMP | 22 | 47 | 55 | 55 |
| 8' ALUMINUM | RAMP | 47 | 97 | 103 | 113 |
| ALUMINUM | SCREWJACK | 16 | | | |
| ALUMINUM | 6' POST WITH PAD | 7 | | | |
| PLASTIC | WHEEL WITH AXLE | 16 | | | |

WEIGHT INCLUDES POSTS, WHEELS, AND HARDWARE

Features



Over-sized Molded 15 Pound

Polyethylene Wheel

cannot go flat. The large diameter, wide wheel rolls better and will sink less, making installation and removal easier.



Screw Jack Wheel

used on aluminum docks for strength and stability.



Screw Jack Post

When portability is not an issue.



Screw Jack Top

Level your dock with out getting wet.



Extruded Post Pocket

Engineered for extra strength and stability.

Decking Options



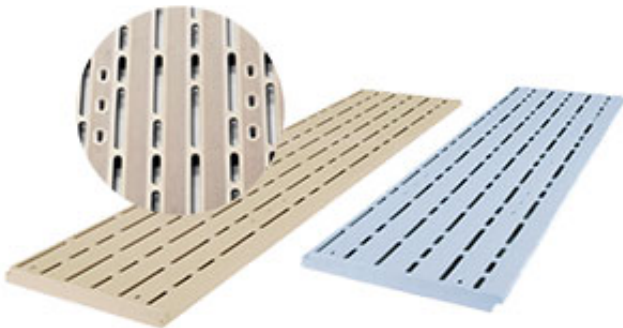
Sunwalk Superior Surfaces

45 Series

SunWalk Docks™ Engineered Resin Dock Panels represent a new standard in durability and cost. SunWalk Docks' four-way design gives you a pleasing, continuous pattern - whether in Straight, "T" or "L" shaped applications.

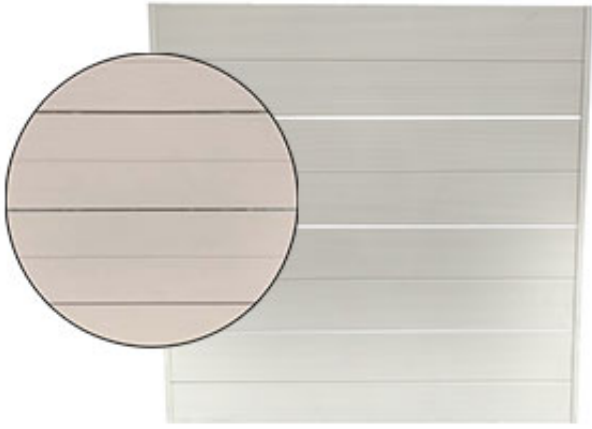
Wood Series

The **WoodBeam** Resin Dock panel is the perfect low maintenance, simulated wood product for your next dock project. The deep wood grain finish gives you that wood look and feel while being maintenance free and easier to install.



Titan Decking

Titan Deck is made of 100% polypropylene plastic. Titan decking will never rot, warp, dent, splinter or bend and never needs painting or staining. It is UV protected, barefoot friendly decking, that stays cool to the touch even in extreme temperatures. Available in Tan or Gray.



Aluminum Decking

The ultimate maintenance free decking option. Tan powder coated Panels that stay cooler than wood or carpet.